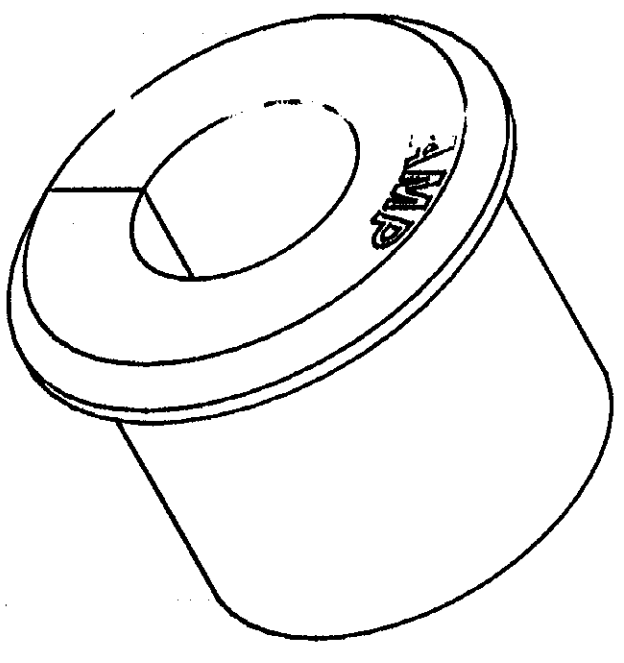
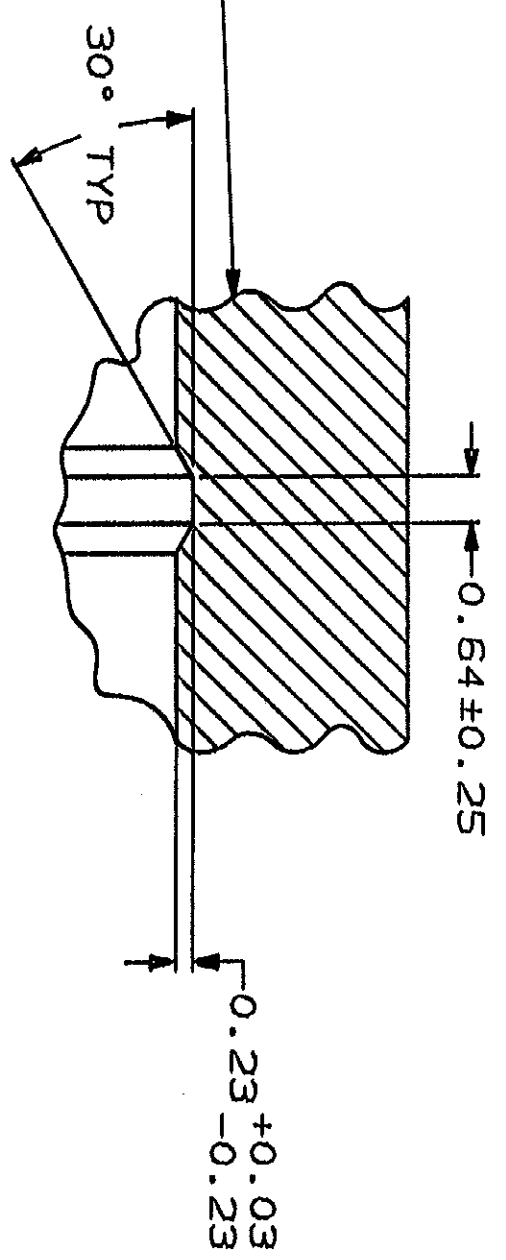
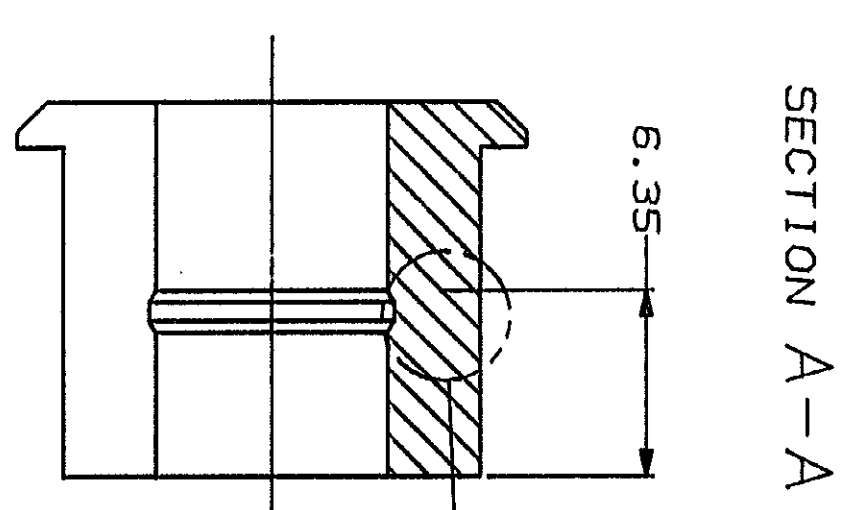
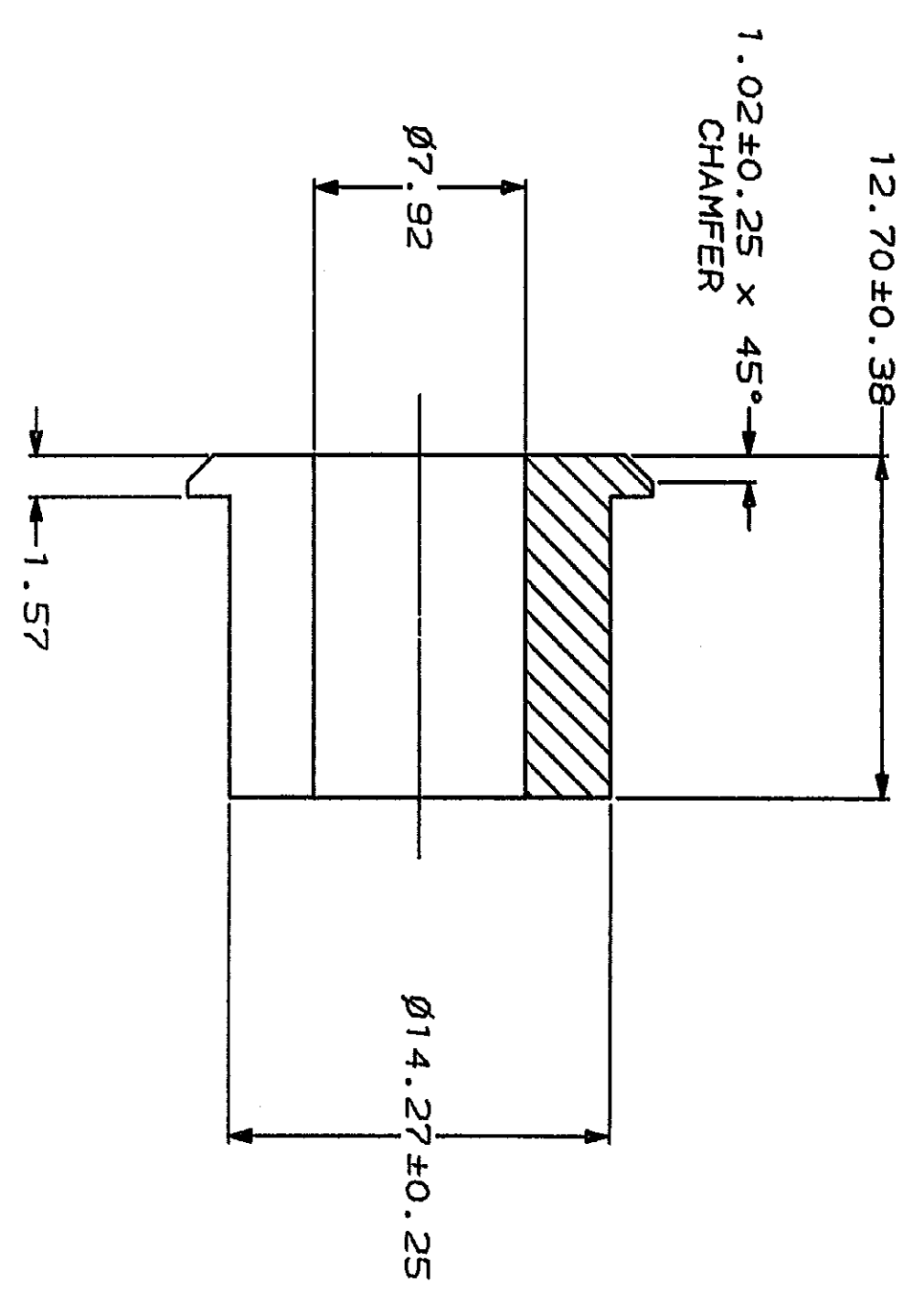
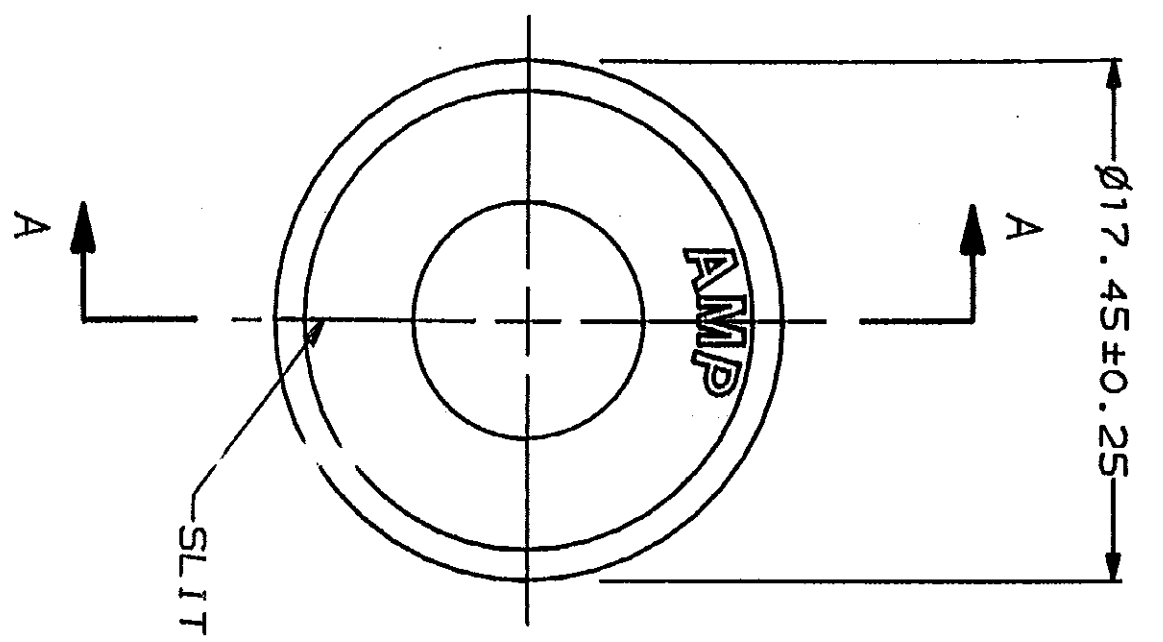


LOC	DIST	REV	DATE	APPD
CM	53		12-6-89	KU/RS

REV	DATE	DESCRIPTION
E	12-6-89	REDWN AND REV PER ECN CM-2599

1. USE WITH STRAIN RELIEF 480594.
 ▲ MOLDING COMPOUND PVC, FLEXIBLE, 55/75 DUREMETER (B SCALED), BLACK.



3-DIMENSIONAL MODEL
 NTS

	MM	IN	MM	IN	MM	IN
0.38	.015	7.92	.312	-	-	-
0.25	.010	6.35	.250	-	-	-
0.23	.009	1.57	.062	17.45	.687	-
0.13	.005	1.02	.040	14.27	.562	-
0.03	.001	0.64	.025	12.70	.500	-

CONVERSION TABLE



DO NOT SCALE PRINT. UNLESS SPECIFIED DIMENSIONS IN MM CINCHES! TOLERANCES ON: 1 2 PLC DEC ± 0.13 3 PLC DEC ± 1°0' ANGLES		DR: <i>[Signature]</i> 12-9-89	NAME: AMP
CHK: <i>[Signature]</i> 12-8-89	APPD: <i>[Signature]</i> 12-11-89	PRODUCT SPEC	AMP INCORPORATED Harrisburg, Pa. 17105
FINISH: ▲	APPLICATION SPEC	SIZE: C	GROMMET, SPLIT, M.R.
WEIGHT		SCALE: 4:1	

PART NO
 1-380937-0

380937